

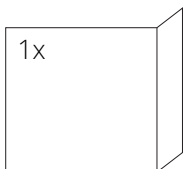
SPECIFICATIONS

Rated thermal input	8 kW
Efficiency	84 %
Smoke flue diameter	200 mm
Min. thrust (under pressure) for rated thermal input	12 Pa
Fuel gas temperature	257 °C
Volume of fuel gas	6 g/s
CO emissions in fuel gas (at 13 % O ₂)	0,0868 %
Dust in the fuel gas (at 13 % O ₂)	18 mg/Nm ³
Volume of fuel per hour	2,7 kg/h
Fuel	wood (beech logs)
Weight	245 kg



LIST OF SPARE PARTS

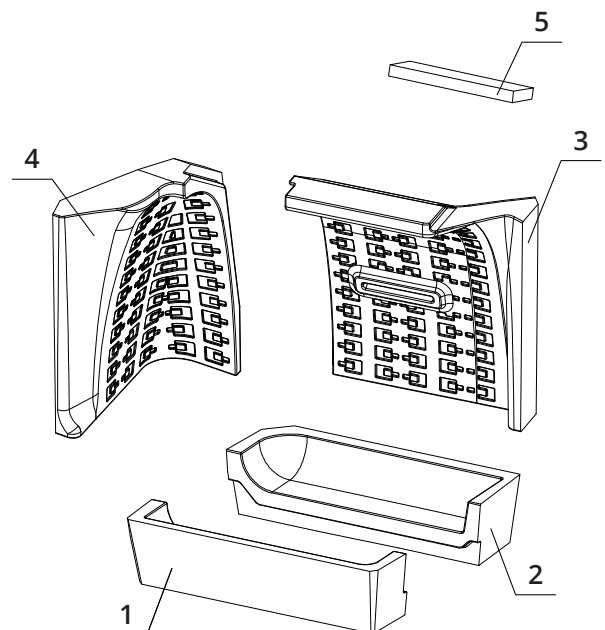
Glass



650 x 430 x 468 mm

Carcon stones

1. Front bottom
2. Back bottom
3. Back
4. Side
5. Deflector



BEF THERM V 8 CP

BlmSchV
Stufe 2

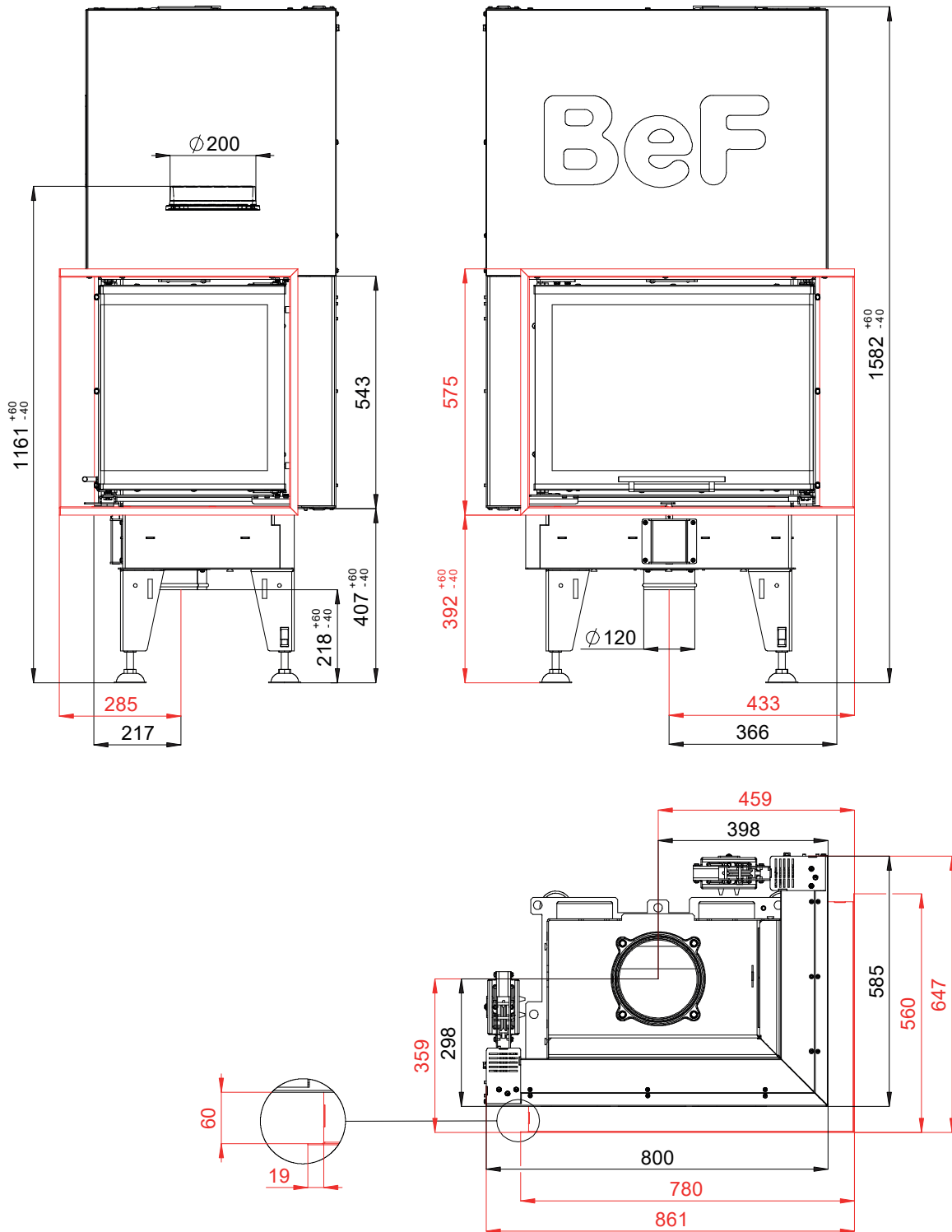
15a
B - VG

ČSN EN
16510

eco
design

www.befhome.com

TECHNICAL DRAWING



BEF THERM V 8 CP

BlmSchV
Stufe 2

15a
B-VG

ČSN EN
16510

eco
design

www.befhome.com